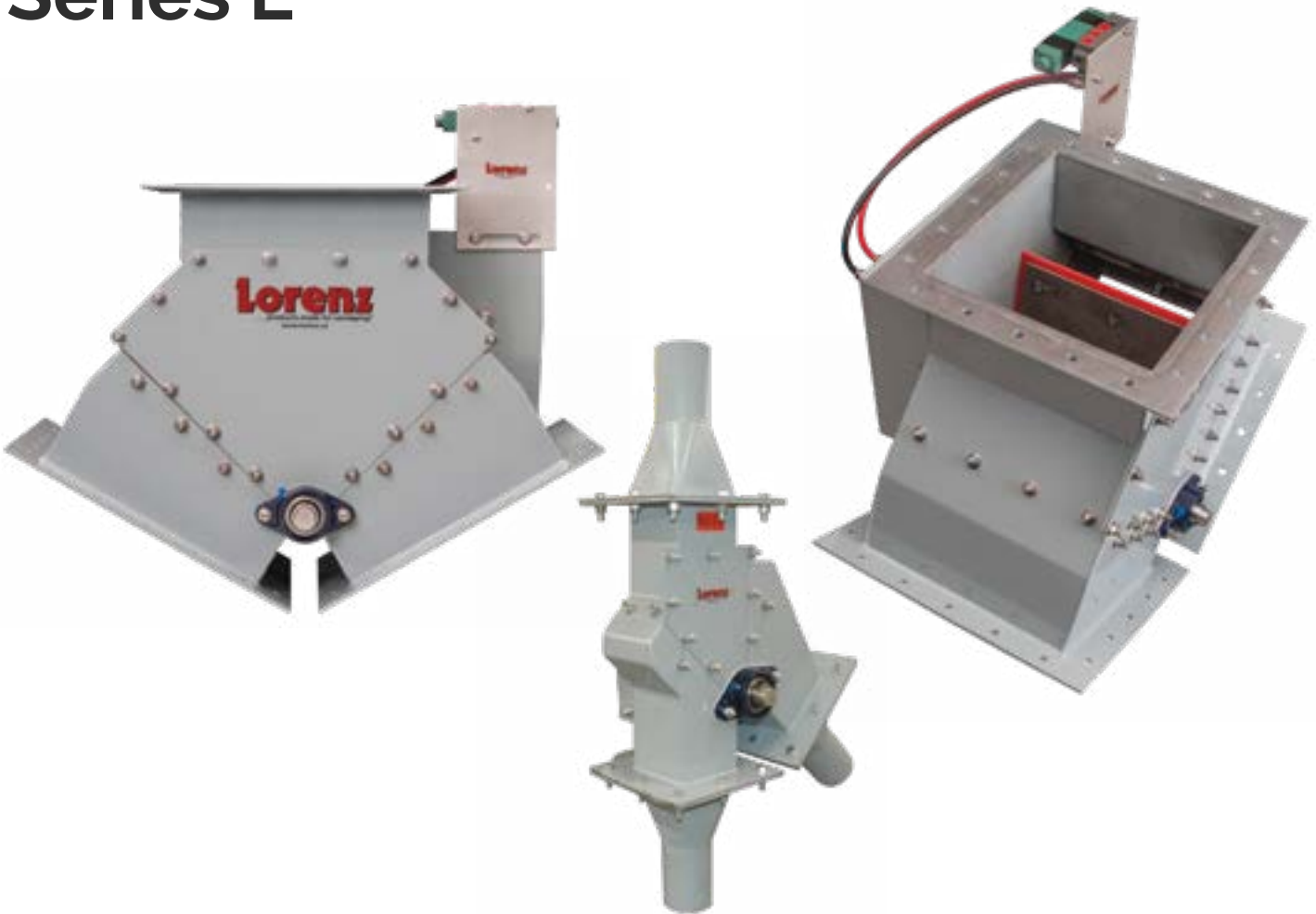


2 Way Sealed Gravity Diverters Series L



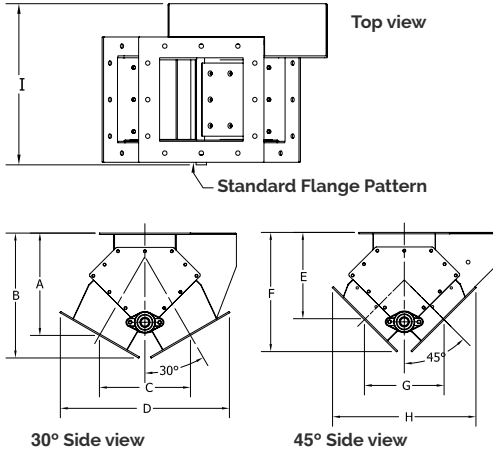
Standard Features

- For dry gravity flow applications providing a seal to the atmosphere
- Polymer blade seals prevent cross contamination
- Sizes 4" up to 30"
- Stainless Steel, Carbon Steel and Aluminum construction
- Square inlets and outlets
- Blade pocket protects leading edge of blade from wear and directs flow of material away
- Replaceable active compression shaft seal and urethane blade seal
- Suitable for up to 104°C (220°F)
- Removable door for cleaning and seal replacement

Options

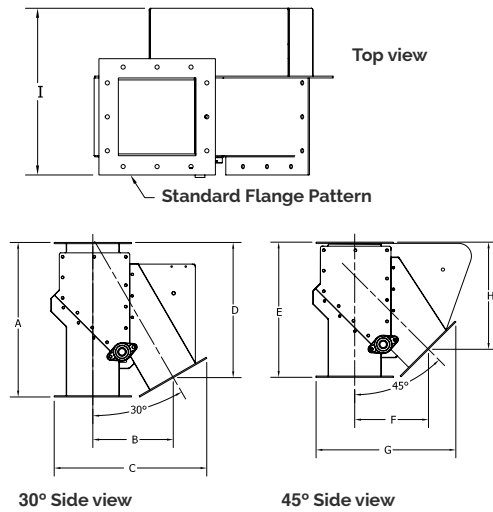
- Square to round transitions
- Quick access removable door for cleaning and seal replacement
- Solenoids - double or single acting 110 volt AC & 24V DC NEMA 4 (NEMA 7/9 available)
- Position switches mounted on air cylinder 5V-240V AC/DC
- Pre-wired Terminal Boxes
- Vented Ball Valve (safety feature)
- Mufflers (Flow Control or Quick Exhaust)
- Filter/Regulator/Lubricator
- High temperature modifications
- Electric actuation
- Manual Hand Lever actuation

Y Configuration



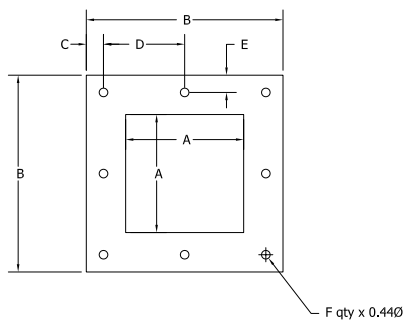
OD	A	B	C	D	E	F	G	H	I-Width
4"	10.50	12.50	9.00	15.93	9.00	11.83	7.50	13.16	11.50
6"	11.50	14.00	10.00	18.66	10.25	13.79	9.00	16.07	13.50
8"	13.50	16.50	12.00	22.39	11.50	15.70	10.50	18.90	16.00
10"	15.00	18.50	13.50	25.62	13.00	17.91	12.00	21.81	18.00
12"	17.00	21.00	15.50	29.36	14.25	19.91	13.00	24.31	19.50
14"	19.00	23.50	17.50	33.09	15.75	22.11	14.50	27.23	21.50
16"	20.50	25.50	19.00	36.32	17.00	24.07	16.00	30.14	24.50
18"	21.50	27.00	21.00	40.05	19.00	26.78	19.00	34.56	25.50
20"	23.00	29.00	23.00	43.79	21.50	29.99	22.00	38.97	27.50
22"	25.00	31.50	25.00	47.52	23.00	32.19	24.00	42.39	29.50
24"	28.50	35.75	27.00	52.12	25.50	35.75	29.00	49.51	31.50
26"	30.00	37.75	29.00	55.85	27.00	37.25	31.00	51.51	33.50
28"	31.00	39.25	31.00	59.58	29.00	40.67	33.00	56.34	35.50
30"	33.00	41.75	33.00	63.31	30.50	42.87	35.00	59.75	37.50

ST Configuration



OD	A	B	C	D	E	F	G	H	I-Width
4"	15.25	8.00	15.46	13.25	15.25	8.00	14.83	12.42	11.50
6"	20.50	10.50	19.83	18.00	18.00	9.75	18.29	14.46	13.50
8"	24.00	12.50	23.70	21.00	21.00	11.50	21.74	16.76	16.00
10"	25.50	14.75	27.81	22.00	23.00	13.00	24.95	18.05	18.00
12"	28.50	16.00	30.87	24.50	26.00	14.75	28.30	20.34	19.50
14"	31.50	18.00	34.79	27.00	29.00	16.50	31.86	22.64	21.50
16"	35.00	20.00	38.66	30.00	32.50	18.50	35.57	25.43	24.50
18"	38.50	22.00	42.53	33.00	36.00	20.50	39.28	28.22	25.50
20"	42.00	24.00	46.39	36.00	39.50	22.50	42.99	31.02	27.50
22"	45.50	26.00	50.26	39.00	43.00	24.50	46.69	33.81	29.50
24"	49.00	32.00	59.06	41.75	46.50	27.00	51.75	36.25	31.50
26"	52.50	30.00	58.92	44.75	50.00	29.00	55.46	39.04	33.50
28"	56.00	32.00	62.79	47.75	53.00	31.00	59.17	41.33	35.50
30"	59.50	34.00	66.66	50.75	54.00	31.88	61.75	41.63	37.50

GDS Standard Flange Pattern



SIZE	A	B	C	D	E	F Qty	G
4"	4.00	8.00	0.88	3.13	0.88	8	0.44
6"	6.00	10.00	0.88	4.13	0.88	8	0.44
8"	8.00	12.00	2.50	3.50	0.88	12	0.44
10"	10.00	14.00	2.50	4.50	0.88	12	0.44
12"	12.00	16.00	2.50	2.75	0.88	20	0.44
14"	14.00	18.00	2.50	3.25	0.88	20	0.44
16"	16.00	20.00	2.50	3.75	0.88	20	0.44
18"	18.00	22.00	2.50	4.25	0.88	20	0.44
20"	20.00	24.00	3.00	3.00	0.88	28	0.44
22"	22.00	26.00	2.50	3.50	0.88	28	0.44
24"	24.00	29.00	3.25	3.75	1.38	28	0.44
26"	26.00	31.00	3.13	4.13	1.38	28	0.44
28"	28.00	33.00	3.75	4.25	1.38	28	0.44
30"	30.00	35.00	3.00	3.63	1.38	36	0.44