

# Maintenance Gates Series A

SQUARE



ROUND



## Standard Features

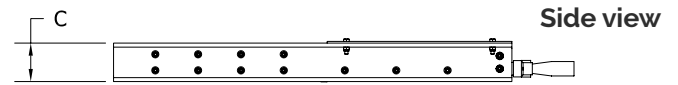
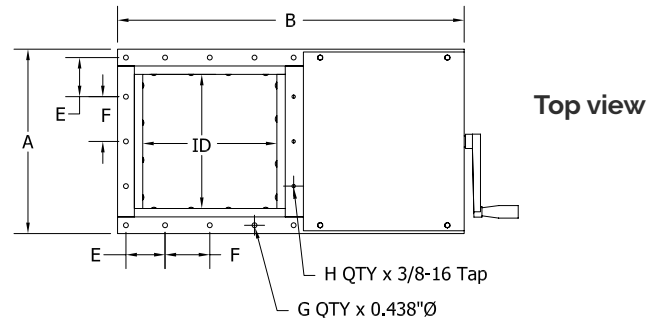
- Mount above airlocks or below bins and hoppers for periodic shutdown/maintenance
- Hand Crank actuated for vacuum, dilute phase pressure or gravity systems
- Polymer liner
- Square Gate - 304 Stainless Steel & polymer contact points & Stainless Steel blade
- Round Gate - 304 Stainless Steel, polymer & Aluminum contact points
- Narrow profile, lightweight Aluminum frame
- Constant pressure woven Teflon seals
- Fully lined interior
- Standard gate rated for 82° C (180° F)
- Fully tested prior to shipping

## Options

- Air cylinders, hand wheel, electric or chain wheel actuation
- Stainless Steel construction
- Clear covers
- Special Service Inlet
- High temperature service (square model only)

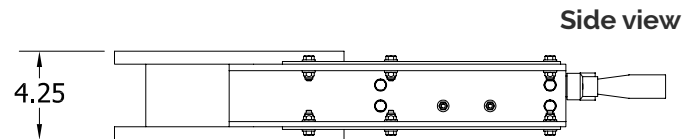
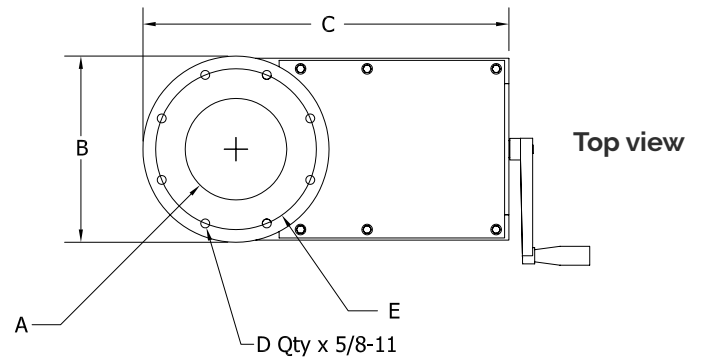
# Square Orifice

SIZE (SQ ID)	A	B	C	E	F	G Qty x 0.438"Ø	H Qty x 3/8-16 Tap
6"	10.50	19.25	3.00	4.50	NA	7	1
8"	12.50	23.00	3.00	5.50	NA	7	1
10"	14.50	27.00	3.00	3.25	3.25	13	3
12"	16.50	31.00	3.00	3.50	4.00	13	3
14"	18.50	35.00	3.00	4.25	4.25	13	3
16"	20.50	39.00	3.00	4.75	4.75	13	3
18"	24.00	44.50	4.00	5.25	5.25	13	3
20"	26.00	48.50	4.00	5.75	5.75	13	3



# Round Orifice

A	B	C	D	E
6"	11.00	21.62	8	9.50
8"	13.50	26.75	8	11.75
10"	16.00	32.37	12	14.25
12"	19.00	37.62	12	17.00
14"	21.00	42.56	12	18.75
16"	23.50	47.81	16	21.25



# Complete Assemblies

