

2 Way Diverter Valves Series D



STRAIGHT CONFIGURATION - ST



WYE CONFIGURATION - Y

Available in sizes from
1.5" up to 12"

**Pneumatic actuated
2 Way Diverter Valve for
vacuum or low pressure
conveying systems**

Standard Features

- Manufactured for vacuum or dilute phase (15 PSI max) pneumatic conveying systems
- Unobstructed flow improves system performance and eliminates product degradation
- Install horizontally or vertically allowing simple system design
- Positive Blade Lock (PBL) between blade & cylinder rod
- Internal magnetic piston, cushioned air cylinder
- Polished Stainless Steel blade
- Active Compression Seals (ACS)
- Light weight Aluminum body construction
- Temperature rated for up to 82° C (180° F)
- Inlet/outlet wall thickness of 16, 14 & 11 gauge, schedule 10, 40 & 80
- Fully tested prior to shipping

Options

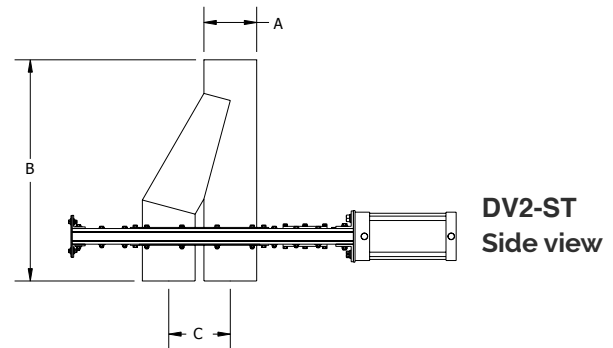
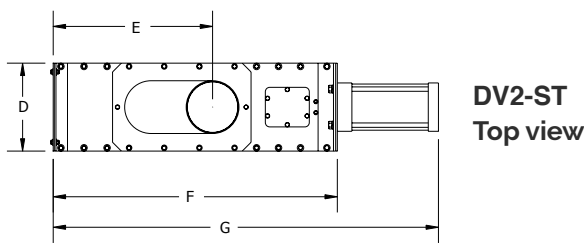
- Position switches 5 volt to 240 volt AC/DC
- Manual Hand Crank, Hand Wheel, Chain Wheel Operation
- Proximity Switches
- Oversized cylinders
- Valve body sealed for air purging when conveying powders
- NEMA 7-9 hazardous locations
- Inlets/Outlets - Aluminum, Carbon Steel or Stainless Steel with straight or flanged ends
- Double Acting or Single Acting Spring Return Solenoid (110 volt AC or 24 volt DC) or Manual Lever Valve
- High temperature modifications
- Electric actuation
- Pre-wired Terminal Boxes
- Ceramic Lined or Ceram Back® Inlets/Outlets
- Mufflers (Flow Control or Quick Exhaust)
- Vented Ball Valve (safety feature)
- Filter/Regulator/Lubricator

2 Way Diverter Valves

A (OD)	B (ST)	C	D	E (ST)	F	G	H (Y)	I (Y)
1.5"	13.53	2.50	5.00	6.88	14.00	20.25	11.27	5.63
2"	13.65	2.50	5.00	6.88	14.00	20.75	11.53	5.63
2.25"	15.65	3.50	6.00	9.40	18.38	26.13	12.03	7.65
2.375"	18.10	3.50	6.00	9.44	18.38	26.13	15.15	7.69
2.5"	15.65	3.50	6.00	9.44	18.38	26.13	12.03	7.69
2.875"	16.50	3.50	6.00	9.44	18.38	26.13	15.15	7.69
3"	15.53	3.50	6.00	9.44	18.38	26.13	12.62	7.69
3.5"	23.53	5.00	7.00	12.88	23.63	32.88	18.37	10.38
4"	19.53	5.00	7.00	12.88	23.63	32.88	14.46	10.38
4.5"	25.15	6.00	9.00	15.88	28.56	39.06	19.78	12.88
5"	22.65	6.00	9.00	15.88	28.56	39.06	18.38	12.88
5.563"	27.15	7.00	10.00	18.13	31.30	41.80	21.28	14.63
6"	25.15	7.00	10.00	18.13	32.30	43.80	19.77	14.63
6.625"	26.90	10.00	11.00	26.50	44.90	59.40	22.40	21.50
8"	32.15	10.00	12.00	25.84	44.30	58.80	28.15	20.84
8.625"	32.78	12.00	14.00	30.50	51.70	68.70	27.91	24.50
10"	38.50	14.00	15.75	35.25	59.30	78.30	31.28	28.25
10.75"	38.50	14.00	15.75	35.25	59.30	78.30	32.03	28.25
12"	42.70	17.00	16.50	41.31	68.75	90.75	33.91	32.81

Inlets & Outlets available in Tube & Pipe sizes in Stainless Steel, Aluminum & Carbon Steel

STRAIGHT CONFIGURATION - ST



WYE CONFIGURATION - Y

